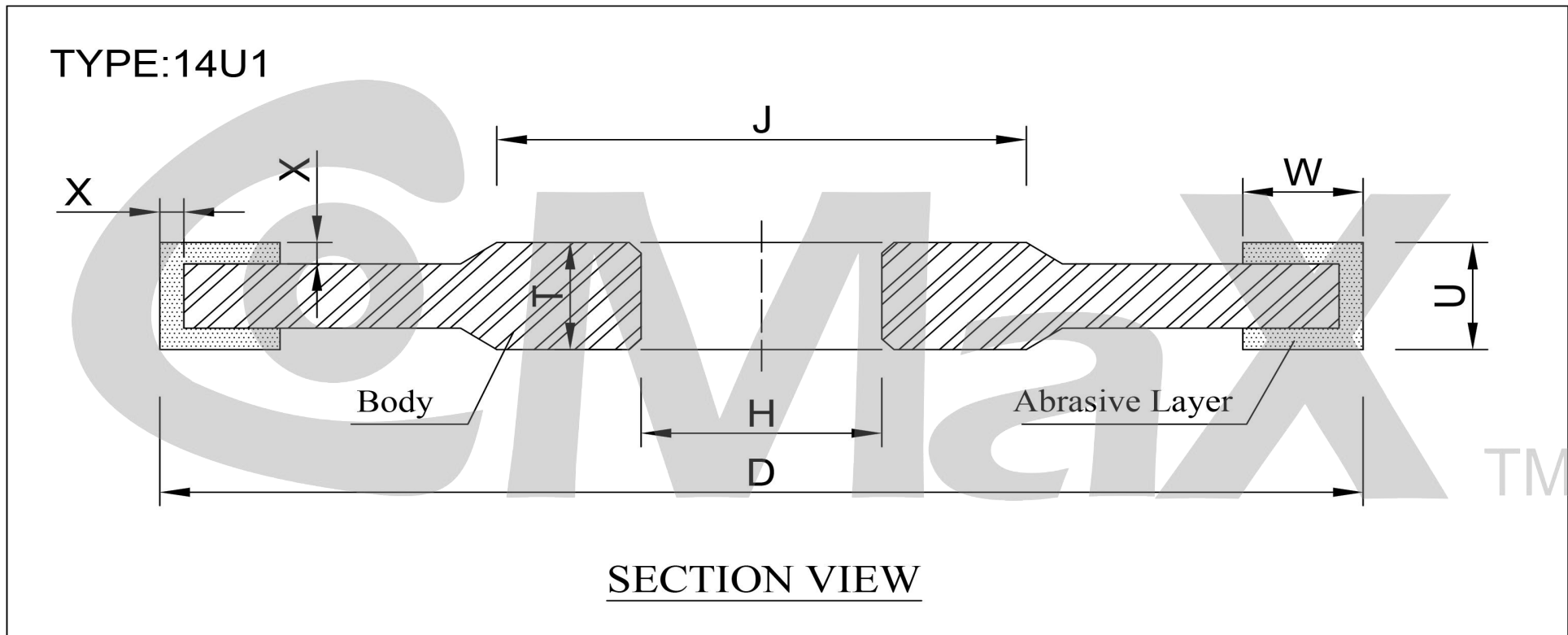


# 14U1—Flat Grinding Wheel





CO-MAX MACHINERY TOOLS LIMITED

ADD: HI-TECH ZONE, XIAN CITY, SHAANXI, CHINA  
WEBSITE: HTTP://WWW.COMAXTOOL.COM  
TEL: +86-29-87552162 FAX: +86-29-81878773  
E-MAIL: SALES@COMAXTOOL.COM

# 14U1—Flat Grinding Wheel

**Diamond Grinding Wheel / CBN Grinding Wheel**

*SIZE SPECIFICATION*

*Unit:mm*

<i>D</i>	<i>U</i>	<i>W</i>	<i>Metal</i>	<i>Resin</i>	<i>T</i>
			<i>X</i>	<i>X</i>	
100	4~6	4~6	1~2	1~2	8
125	3~10	4~10	1~3	1~3	10
150	4~10	4~10	1~3	1~3	10
200	10	10	2~3	2~3	10
250	10	10	2~3	2~3	10
<i>H, J: Must be specified in inquiry/ order</i>					

TM

**CO-MAX MACHINERY TOOLS LIMITED**

10 Anson Road #26-04 International Plaza, Singapore (079903). Tel: +65 90255373 Fax: +65 64461885



**CO-MAX MACHINERY TOOLS LIMITED**

ADD: HI-TECH ZONE, XIAN CITY, SHAANXI, CHINA  
WEBSITE: [HTTP://WWW.COMAXTOOL.COM](http://www.comaxtool.com)  
TEL: +86-29-87552162 FAX: +86-29-81878773  
E-MAIL: [SALES@COMAXTOOL.COM](mailto:SALES@COMAXTOOL.COM)

---

**COMaX**™

---

**CO-MAX MACHINERY TOOLS LIMITED**

10 Anson Road #26-04 International Plaza, Singapore (079903). Tel: +65 90255373 Fax: +65 64461885